



(51) International Patent Classification:
B67D 3/00 (2006.01) B67D 1/08 (2006.01)

(21) International Application Number:
PCT/IB2017/051870

(22) International Filing Date:
31 March 2017 (31.03.2017)

(25) Filing Language: Italian

(26) Publication Language: English

(30) Priority Data:
102016000033711 (UA2016A002230)
1 April 2016 (01.04.2016)
102016000033720 (UA2016A002231)
1 April 2016 (01.04.2016)

(71) Applicant:

(72) Inventor:

(74) Agents:

(81) Designated States (unless otherwise indicated, for every kind of national protection available): AE, AG, AL, AM, AO, AT, AU, AZ, BA, BB, BG, BH, BN, BR, BW, BY, BZ, CA, CH, CL, CN, CO, CR, CU, CZ, DE, DJ, DK, DM, DO, DZ, EC, EE, EG, ES, FI, GB, GD, GE, GH, GM, GT, HN, HR, HU, ID, IL, IN, IR, IS, JP, KE, KG, KH, KN, KP, KR, KW, KZ, LA, LC, LK, LR, LS, LU, LY, MA, MD, ME, MG, MK, MN, MW, MX, MY, MZ, NA, NG, NI, NO, NZ, OM, PA, PE, PG, PH, PL, PT, QA, RO, RS, RU, RW, SA, SC, SD, SE, SG, SK, SL, SM, ST, SV, SY, TH, TJ, TM, TN, TR, TT, TZ, UA, UG, US, UZ, VC, VN, ZA, ZM, ZW.

IT (84) Designated States (unless otherwise indicated, for every kind of regional protection available): ARIPO (BW, GH, GM, KE, LR, LS, MW, MZ, NA, RW, SD, SL, ST, SZ, TZ, UG, ZM, ZW), Eurasian (AM, AZ, BY, KG, KZ, RU, TJ, TM), European (AL, AT, BE, BG, CH, CY, CZ, DE, DK, EE, ES, FI, FR, GB, GR, HR, HU, IE, IS, IT, LT, LU, LV, MC, MK, MT, NL, NO, PL, PT, RO, RS, SE, SI, SK, SM, TR), OAPI (BF, BJ, CF, CG, CI, CM, GA, GN, GQ, GW, KM, ML, MR, NE, SN, TD, TG).

Published:

— with international search report (Art. 21(3))

[Continued on next page]

(54) Title: A SYSTEM FOR DISPENSING WATER, AND WATER CONTAINER TO BE USED IN SUCH SYSTEM

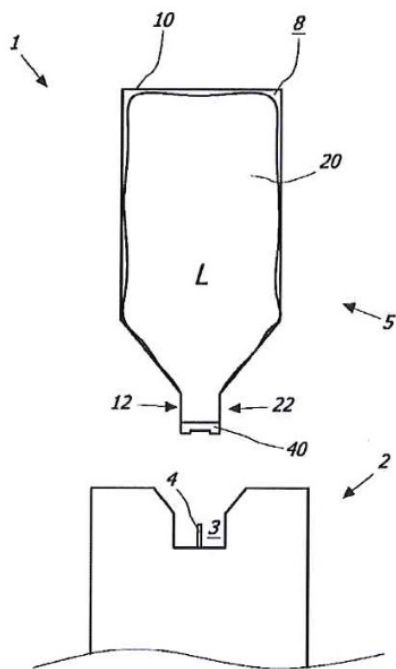


FIG. 1

(57) Abstract: A system for dispensing water (L) comprising at least one container (5) for the water including an generally cylindrical shaped enlarged portion (6) and one neck (7), a column-type dispenser (2) including valve means for the selective water outflow and a seat (3) to seat the neck (7) of the container (5), so that in operating position the neck (7) of the container (5) is placed below with respect the enlarged portion (6). The container (5) further includes an outer rigid support structure (10) made of polymeric material which includes the enlarged portion (6) and the neck (7) and a deformable food bag (20) susceptible to internally contain the water (L).

WO 2017/168392 A1